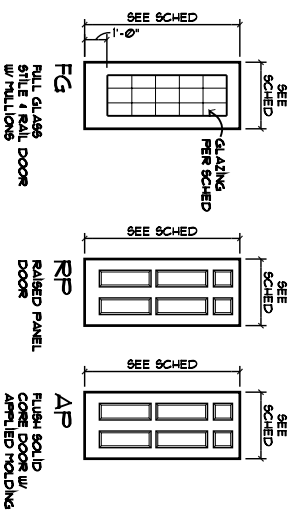


5 WINDOW TYPES
1/8" = 1'-0" (Window types only)



4 DOOR TYPES
1/8" = 1'-0" (Door types only)

ROOM FINISH SCHEDULE									
ROOM NO.	ROOM NAME	FLOOR	BASE	WALLS	CEILING	REMARKS			
FIRST FLOOR									
100	HOTTER	CF1	BD 2	GYP SD	PT	TEXT GYP SD			
101	ACTIVITY	CF1	BD 2	GYP SD	PTAC	TEXT GYP SD			
102	CLAUSET	CF1	BD 2	GYP SD	PTAC	TEXT GYP SD			
103	STORAGE	CF1	BD 1	GYP SD	PT	TEXT GYP SD			
104	TECHNICAL	CF1	BD 1	GYP SD	PT	TEXT GYP SD			
105	STORAGE	CF1	BD 1	GYP SD	PT	TEXT GYP SD			
106	KITCHEN	CF1	BD 1	GYP SD	PT	TEXT GYP SD			
107	TOILET	CF1	BD 1	GYP SD	PT	TEXT GYP SD			

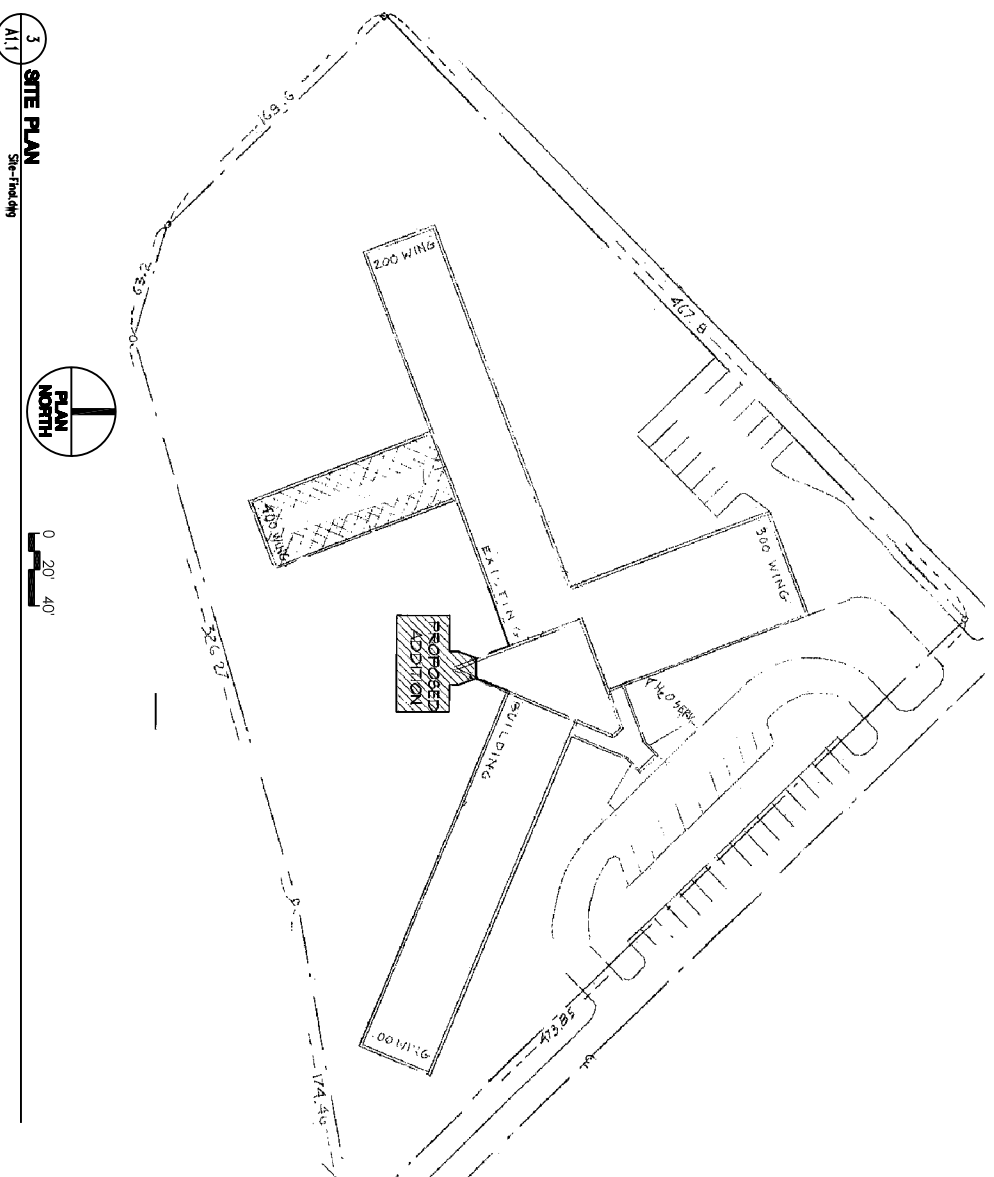
GENERAL AND REFERENCED NOTES:
 UD-1 BASE TO BE 3-1/4" PRESFINISHED OAK COGNAL STYLE
 UD-2 BASE TO BE 3-1/4" PRESFINISHED OAK COGNAL STYLE
 WOOD CASING TO BE 3-1/4" PRESFINISHED OAK COGNAL STYLE

DOOR SCHEDULE

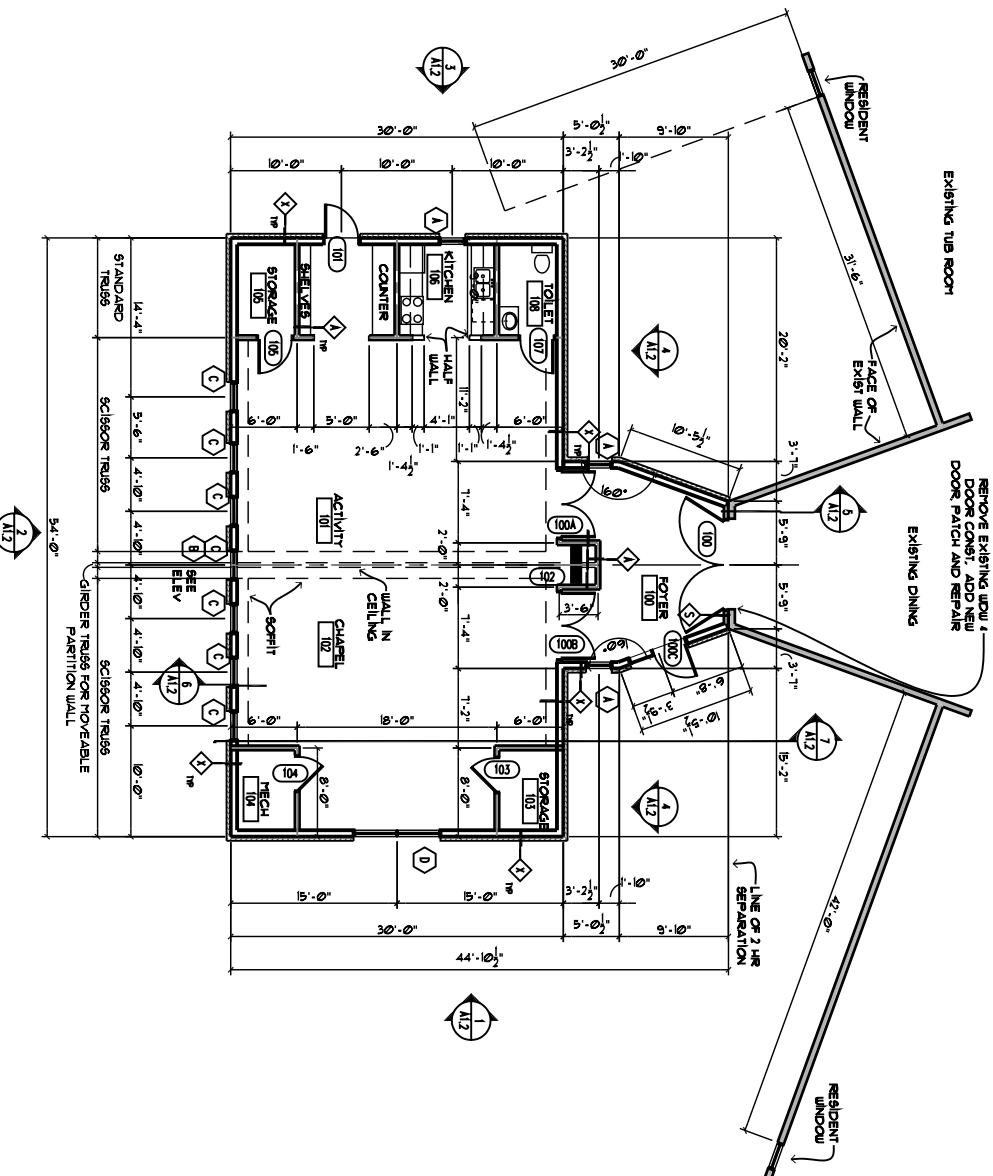
DOOR NUMBER	ROOM NAME	WIDTH	HEIGHT	LABEL	TYPE	FINISH	PAINT	REMARKS
100	HOTTER	8'-0"	6'-8"	500	AP	BD ST	H	PAINT HOLD. EXIT DEVICE
101	HOTTER	6'-0"	6'-8"	FG	BD ST	H	BD	PAINT
102	HOTTER	3'-0"	6'-8"	FG	BD ST	H	BD	PAINT
103	HOTTER	3'-0"	6'-8"	FG	H	PT	H	EXIT DEVICE W/ 7" Ø SCHEDULE
104	CLAUSET	2'-6"	6'-8"	AP	BD ST	H	BD	BOARD WALL. ATED PARTITION
105	STORAGE	3'-0"	6'-8"	AP	BD ST	H	BD	
106	TECHNICAL	3'-0"	6'-8"	AP	BD ST	H	BD	
107	STORAGE	3'-0"	6'-8"	AP	BD ST	H	BD	
107	TOILET	3'-0"	6'-8"	AP	BD ST	H	BD	

ABBREVIATIONS:
 AP FLUSH W/ APPLIED HOLDING
 CF1 PRESFINISHED OAK COGNAL STYLE
 DU PRIMITIAL, NO REPAIR W/ WOOD CASING
 FG FULL GLASS STILE & RAIL DOOR
 H HOLLOW METAL
 H1 HOLLOW METAL
 H2 HOLLOW METAL
 H3 HOLLOW METAL
 H4 HOLLOW METAL
 H5 HOLLOW METAL
 H6 HOLLOW METAL
 H7 HOLLOW METAL
 H8 HOLLOW METAL
 H9 HOLLOW METAL
 H10 HOLLOW METAL
 H11 HOLLOW METAL
 H12 HOLLOW METAL
 H13 HOLLOW METAL
 H14 HOLLOW METAL
 H15 HOLLOW METAL
 H16 HOLLOW METAL
 H17 HOLLOW METAL
 H18 HOLLOW METAL
 H19 HOLLOW METAL
 H20 HOLLOW METAL
 H21 HOLLOW METAL
 H22 HOLLOW METAL
 H23 HOLLOW METAL
 H24 HOLLOW METAL
 H25 HOLLOW METAL
 H26 HOLLOW METAL
 H27 HOLLOW METAL
 H28 HOLLOW METAL
 H29 HOLLOW METAL
 H30 HOLLOW METAL
 H31 HOLLOW METAL
 H32 HOLLOW METAL
 H33 HOLLOW METAL
 H34 HOLLOW METAL
 H35 HOLLOW METAL
 H36 HOLLOW METAL
 H37 HOLLOW METAL
 H38 HOLLOW METAL
 H39 HOLLOW METAL
 H40 HOLLOW METAL
 H41 HOLLOW METAL
 H42 HOLLOW METAL
 H43 HOLLOW METAL
 H44 HOLLOW METAL
 H45 HOLLOW METAL
 H46 HOLLOW METAL
 H47 HOLLOW METAL
 H48 HOLLOW METAL
 H49 HOLLOW METAL
 H50 HOLLOW METAL
 H51 HOLLOW METAL
 H52 HOLLOW METAL
 H53 HOLLOW METAL
 H54 HOLLOW METAL
 H55 HOLLOW METAL
 H56 HOLLOW METAL
 H57 HOLLOW METAL
 H58 HOLLOW METAL
 H59 HOLLOW METAL
 H60 HOLLOW METAL
 H61 HOLLOW METAL
 H62 HOLLOW METAL
 H63 HOLLOW METAL
 H64 HOLLOW METAL
 H65 HOLLOW METAL
 H66 HOLLOW METAL
 H67 HOLLOW METAL
 H68 HOLLOW METAL
 H69 HOLLOW METAL
 H70 HOLLOW METAL
 H71 HOLLOW METAL
 H72 HOLLOW METAL
 H73 HOLLOW METAL
 H74 HOLLOW METAL
 H75 HOLLOW METAL
 H76 HOLLOW METAL
 H77 HOLLOW METAL
 H78 HOLLOW METAL
 H79 HOLLOW METAL
 H80 HOLLOW METAL
 H81 HOLLOW METAL
 H82 HOLLOW METAL
 H83 HOLLOW METAL
 H84 HOLLOW METAL
 H85 HOLLOW METAL
 H86 HOLLOW METAL
 H87 HOLLOW METAL
 H88 HOLLOW METAL
 H89 HOLLOW METAL
 H90 HOLLOW METAL
 H91 HOLLOW METAL
 H92 HOLLOW METAL
 H93 HOLLOW METAL
 H94 HOLLOW METAL
 H95 HOLLOW METAL
 H96 HOLLOW METAL
 H97 HOLLOW METAL
 H98 HOLLOW METAL
 H99 HOLLOW METAL
 H100 HOLLOW METAL

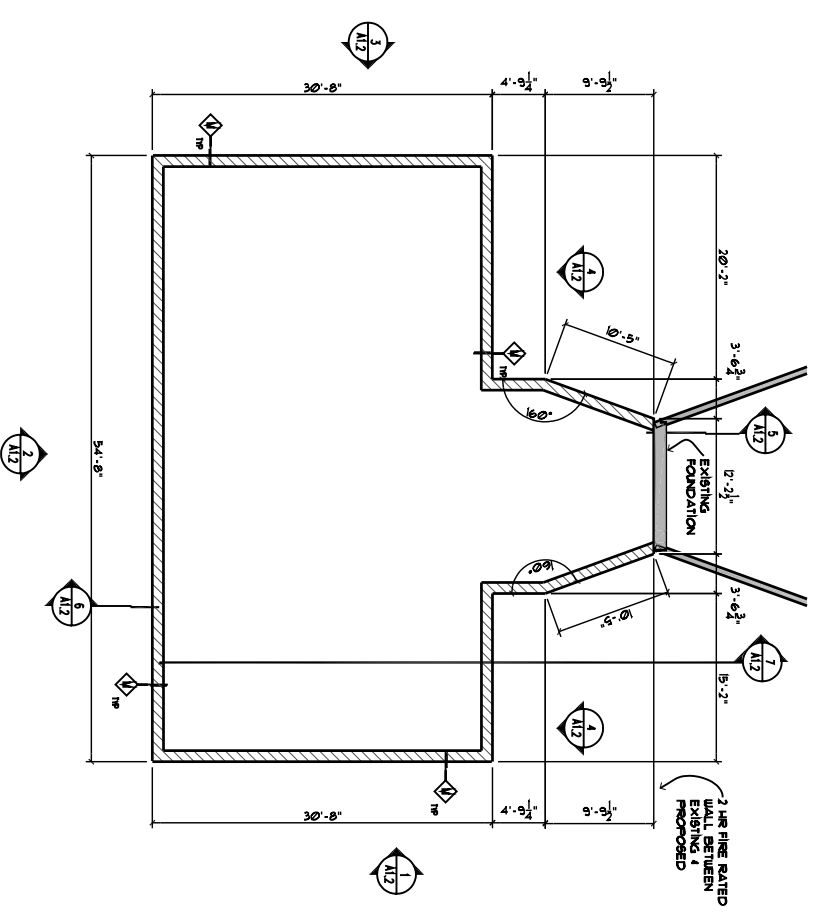
NOTES:
 1. REFER TO ALL INTERIOR ROOMS
 2. DOORS UNLESS NOTED TO BE CENTERED ON WALL OR PANEL. DOORS
 WOOD CASING AT ALL PRIMITIAL, REPAIRS, AND



3 SITE PLAN
1/8" = 1'-0" (Site plan only)



2 FLOOR PLAN
1/8" = 1'-0" (Floor plan only)



1 FOUNDATION FLOOR PLAN
1/8" = 1'-0" (Foundation floor plan only)

in-site architects

1101 West Pine Street, Suite 333
 Minneapolis, Minnesota 55415
 612.555.1900 Fax: 612.555.1927

Project: ANGELS CARE CENTER
 Date: AUGUST 9, 2006
 Scale: 1/8" = 1'-0"

ANGELS CARE CENTER

CANNON FALLS, MINNESOTA

VOUNTEERS OF AMERICA

NOT FOR CONSTRUCTION
 REVIEW SET
 AUGUST 9, 2006

BUILDING & SITE PLAN
 DOOR SCHEDULE
 ROOM FINISH SCHEDULE
 DOOR & WINDOW TYPES
 CHAPEL ADDITION
A1.1